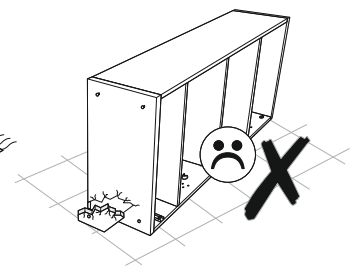
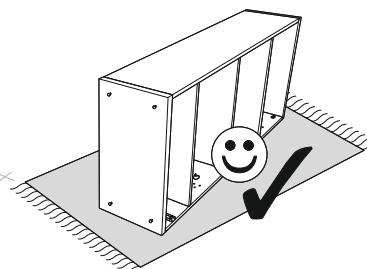
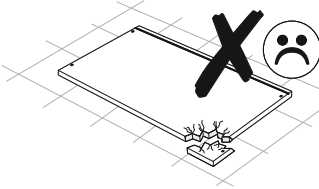
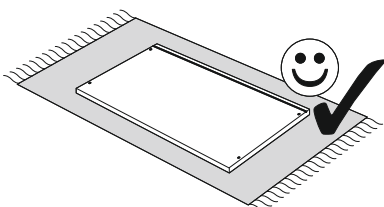
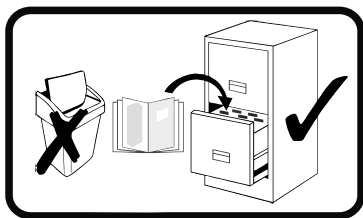
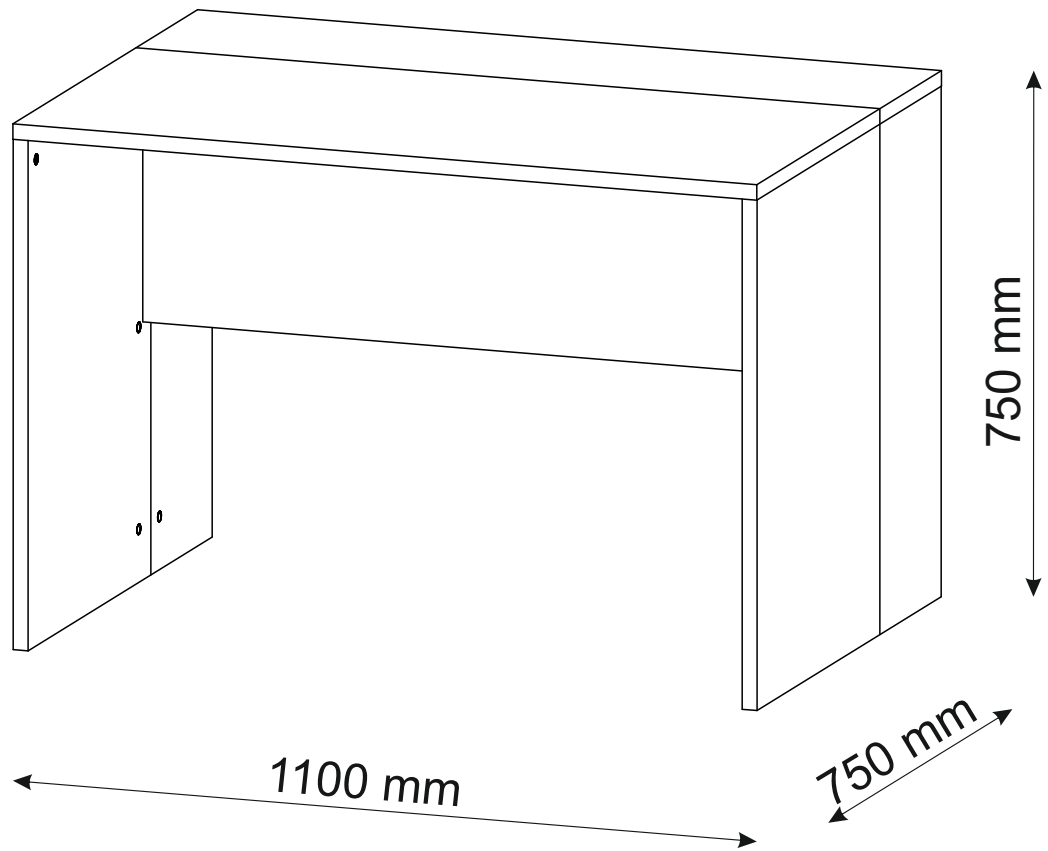
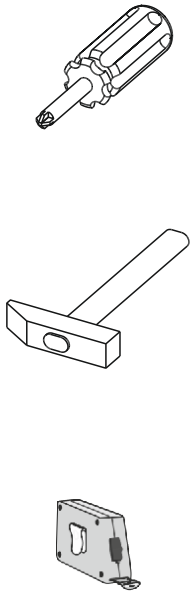
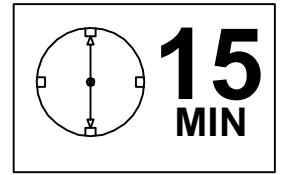
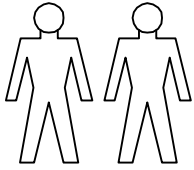

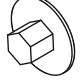


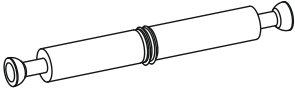
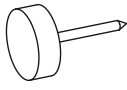
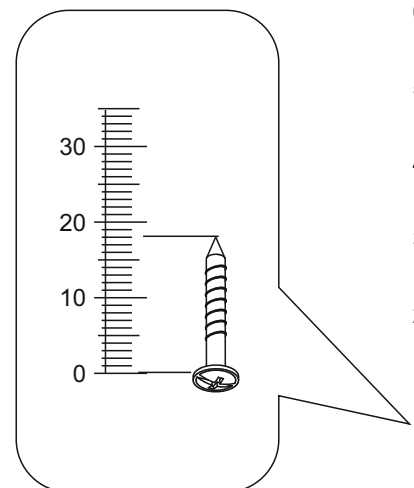
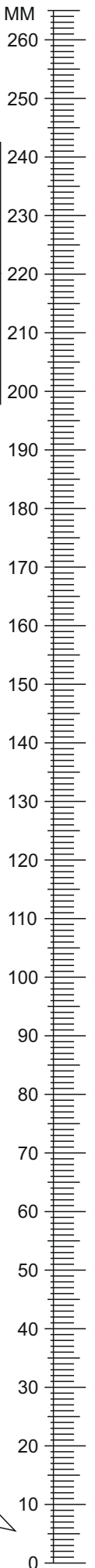


# MUTATIO - Schreibtisch

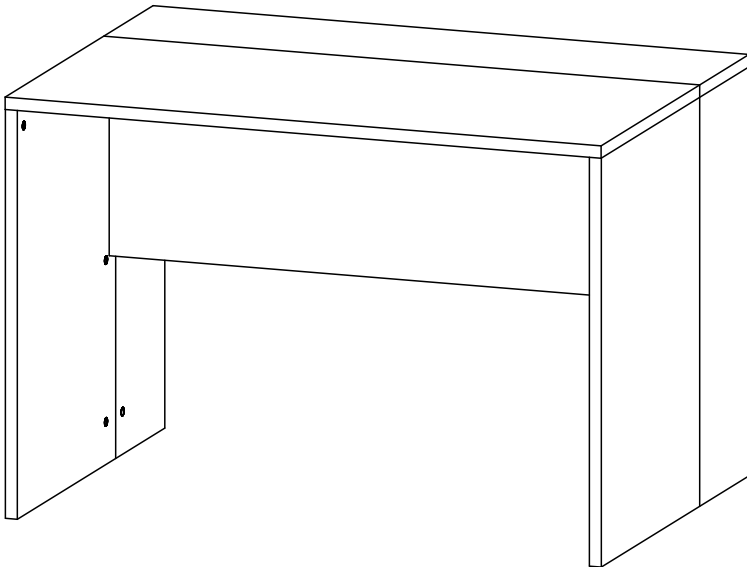



# MUTATIO - Schreibtisch

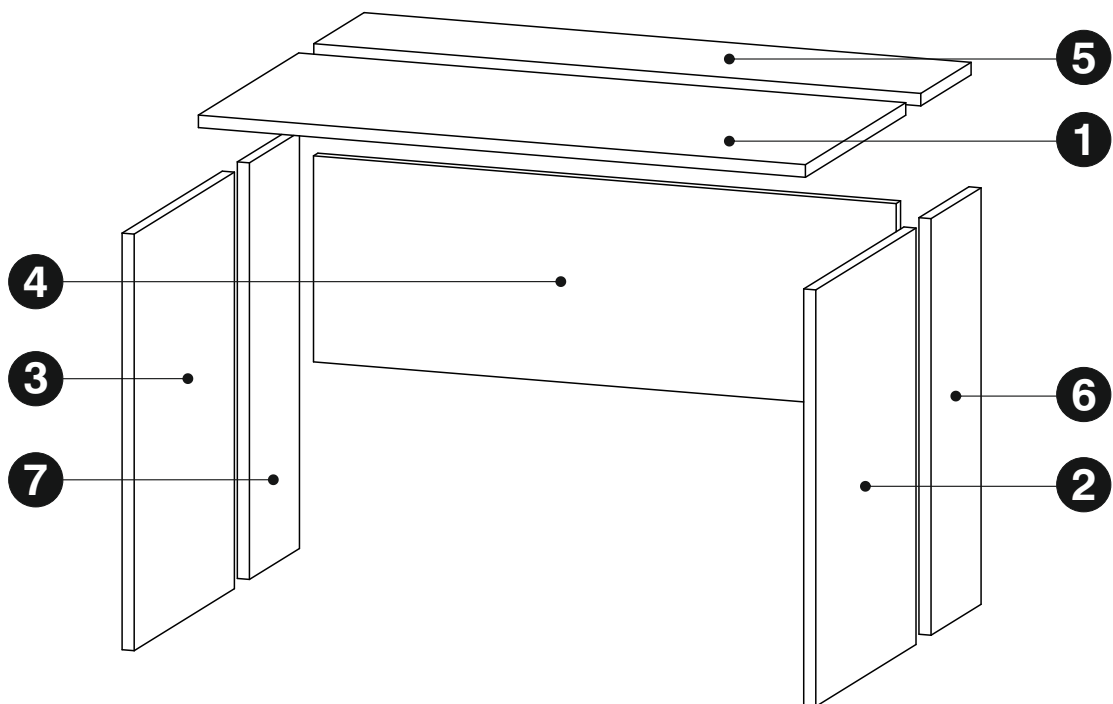
<b>A0</b> 8 x 30mm 	<b>x22</b>	<b>C0</b> 	<b>x24</b>	<b>C1</b> 18mm 	<b>x32</b>
<b>C2</b> 	<b>x12</b>	<b>C5</b> 	<b>x10</b>	<b>T3</b> 	<b>x6</b>

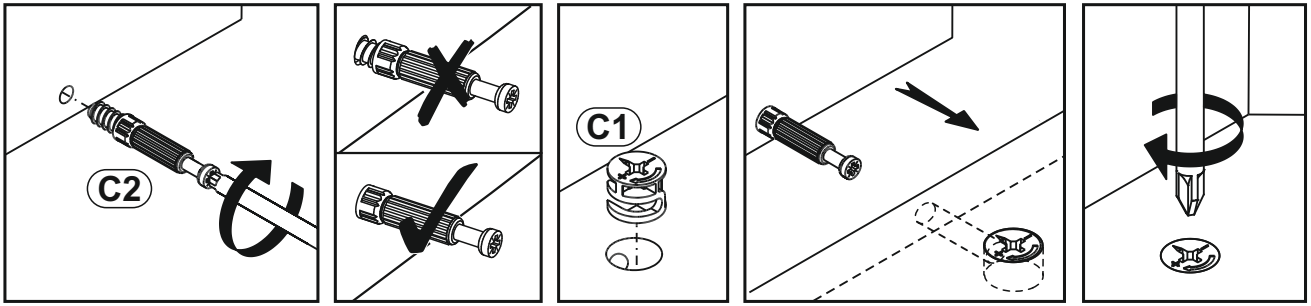


# MUTATIO - Schreibtisch




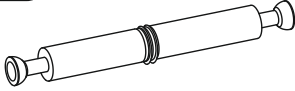


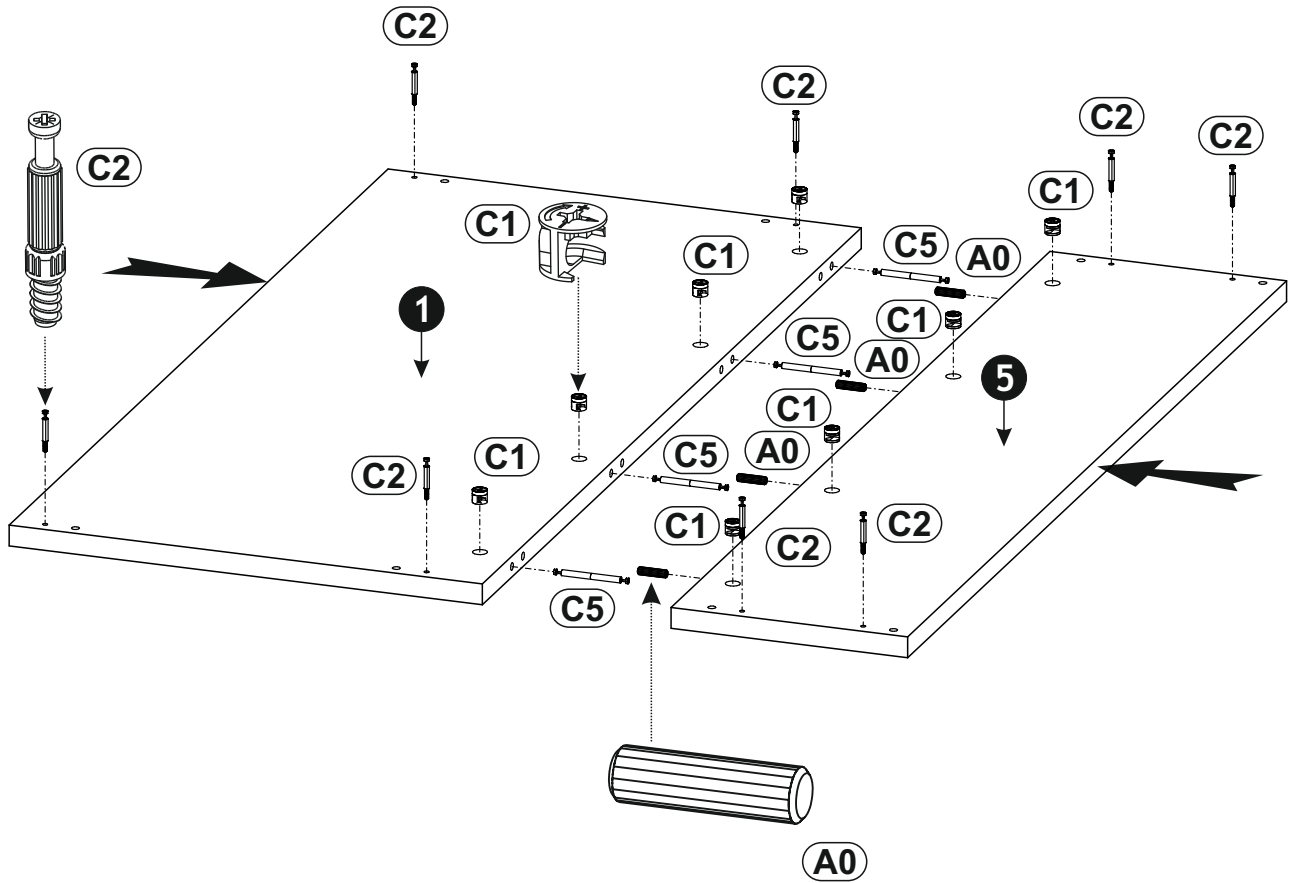
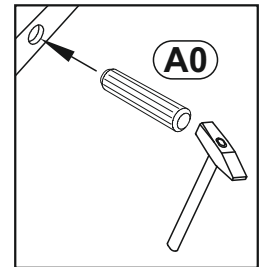
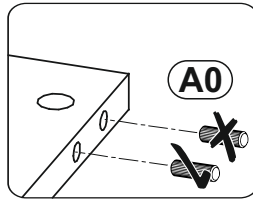
<b>1</b>	1100	500	22	x1	1/2
<b>2</b>	728	499	22	x1	1/2
<b>3</b>	728	499	22	x1	1/2
<b>4</b>	1056	360	22	x1	1/2
<b>5</b>	1100	250	22	x1	2/2
<b>6</b>	728	249	22	x1	2/2
<b>7</b>	728	249	22	x1	2/2
					1/2



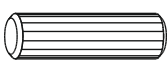


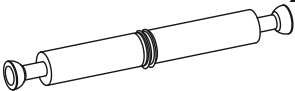
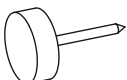



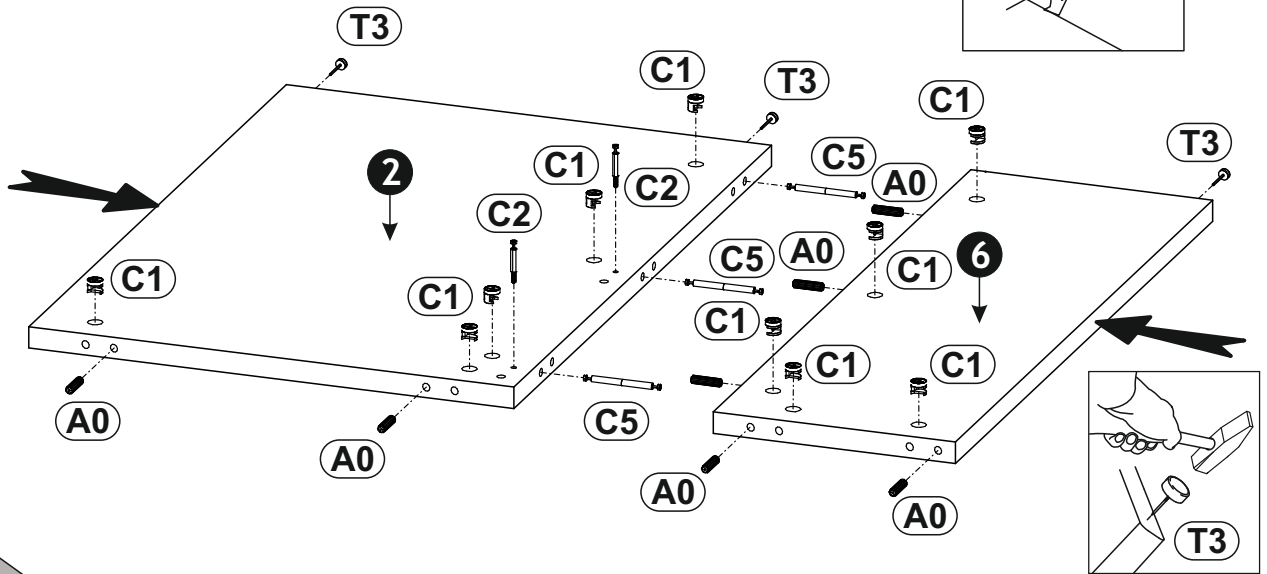
**1** ▶

<p><b>A0</b> 8 x 30mm <b>x4</b></p> 	<p><b>C1</b> 18mm <b>x8</b></p> 	<p><b>C2</b> <b>x8</b></p> 
<p><b>C5</b> <b>x4</b></p> 		

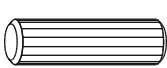


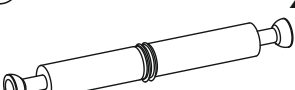




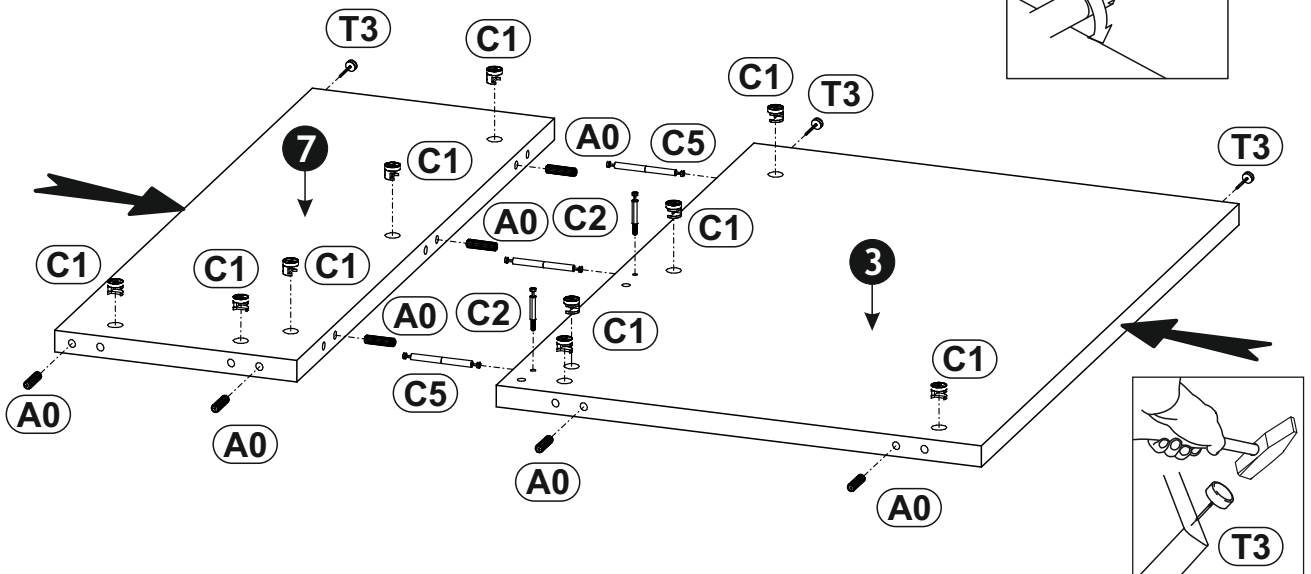
## 2

<b>A0</b> 8 x 30mm  <b>x7</b>	<b>C1</b> 18mm  <b>x10</b>	<b>C2</b>  <b>x2</b>
<b>C5</b>  <b>x3</b>	<b>T3</b>  <b>x3</b>	





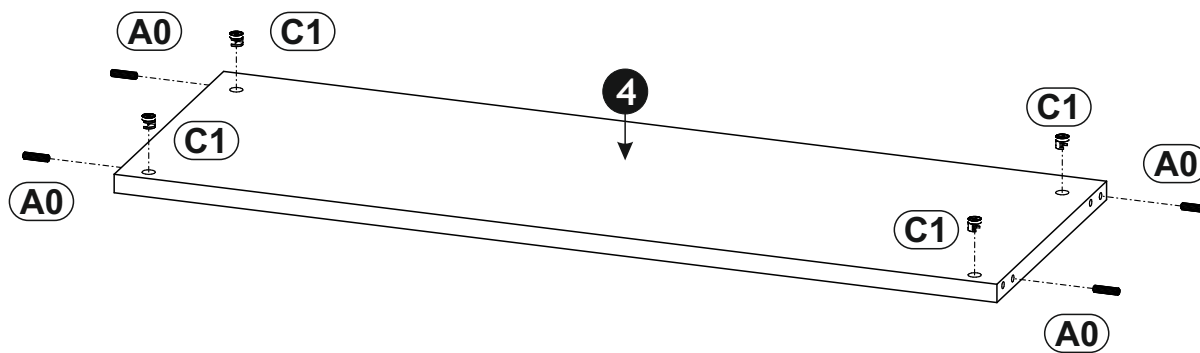
## 3

<b>A0</b> 8 x 30mm  <b>x7</b>	<b>C1</b> 18mm  <b>x10</b>	<b>C2</b>  <b>x2</b>
<b>C5</b>  <b>x3</b>	<b>T3</b>  <b>x3</b>	

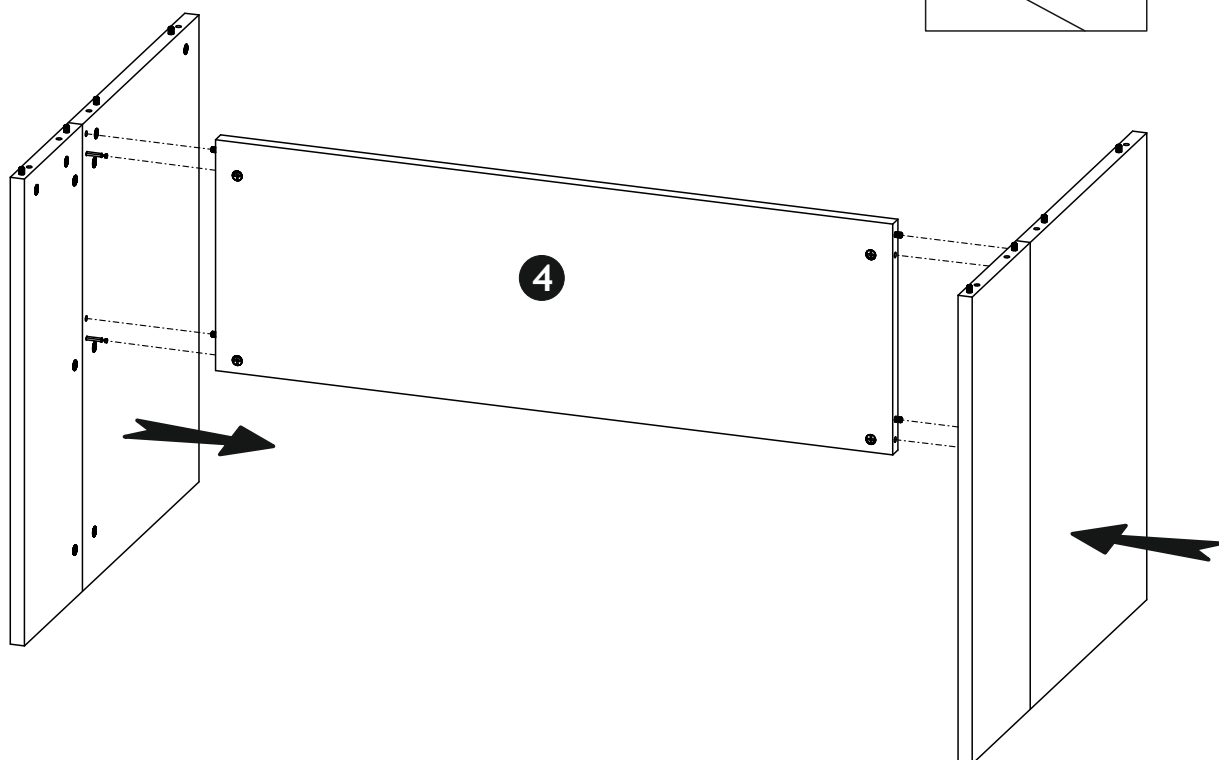
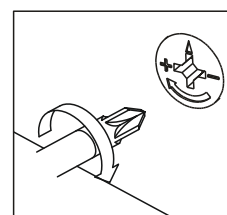


4 ▶

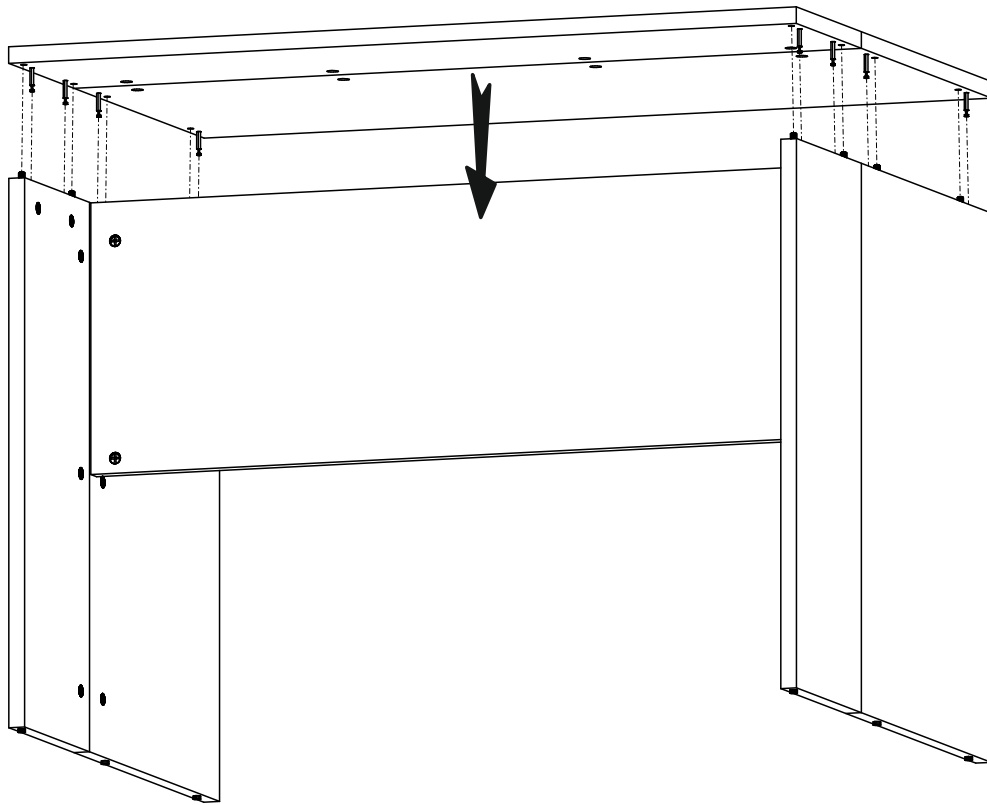
<p>(A0) 8 x 30mm x4</p> 	<p>(C1) 18mm x4</p> 
---	---



5 ▶



6 ▶



7 ▶

