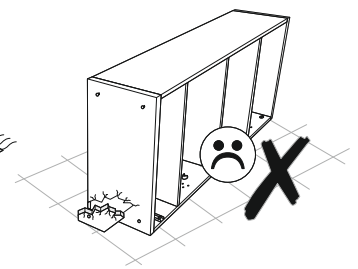
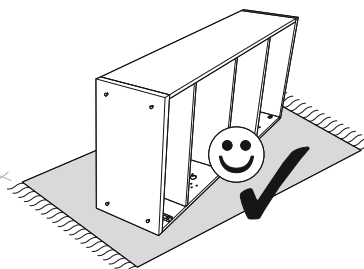
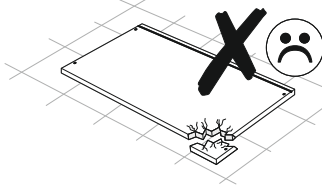
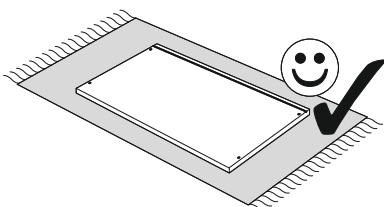
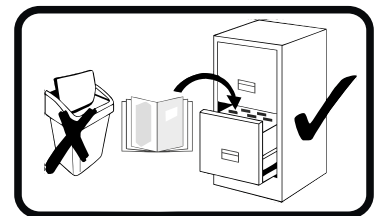
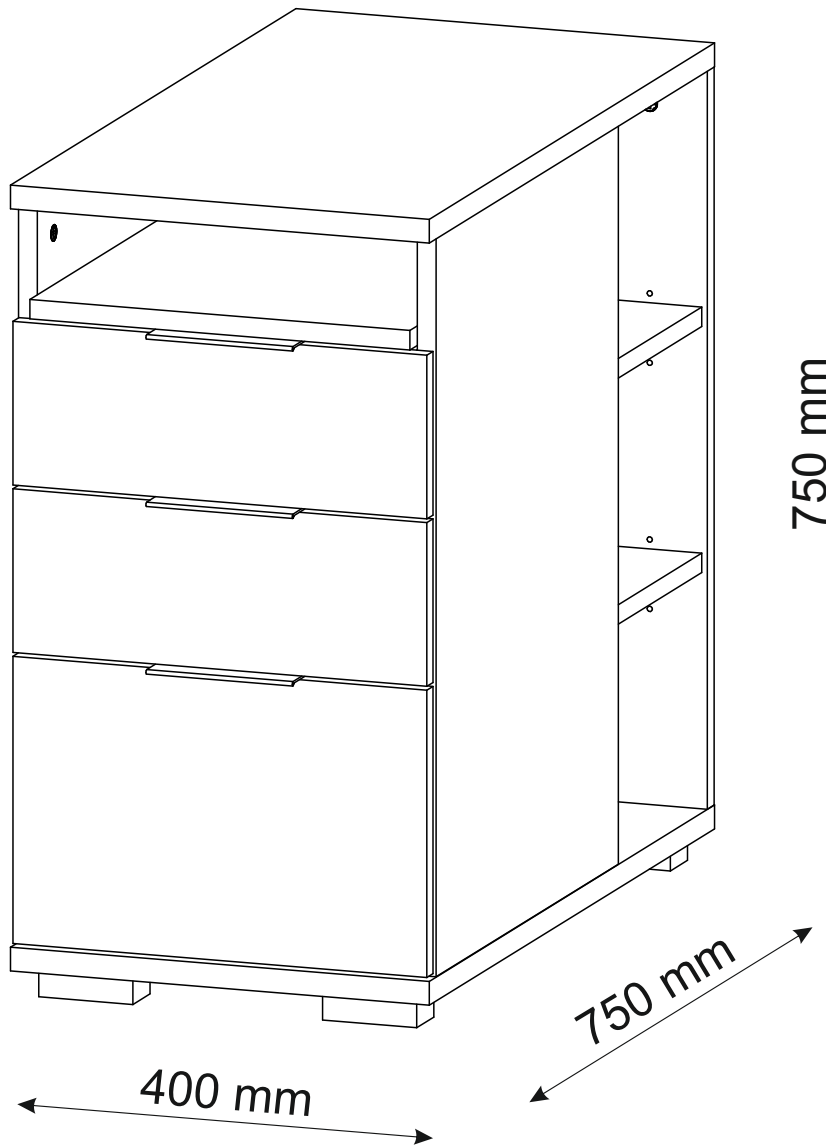
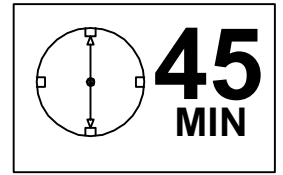
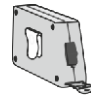
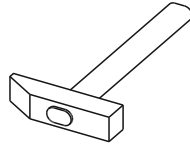
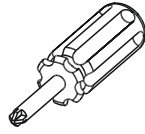
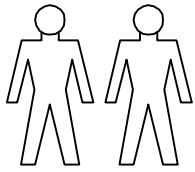




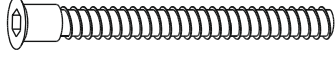
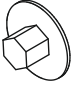





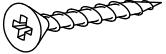

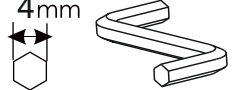


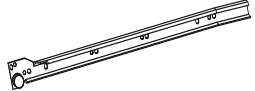
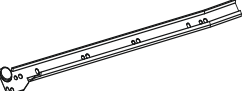

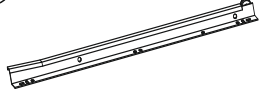
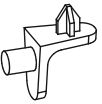
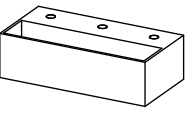

MUTATIO

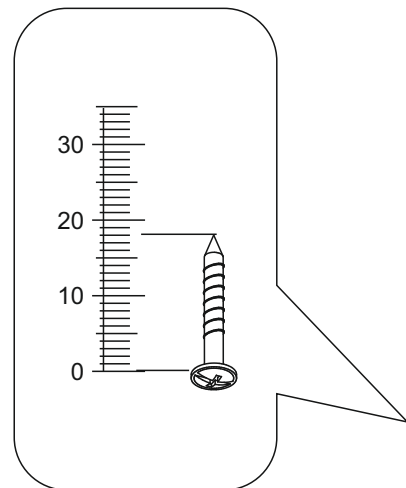
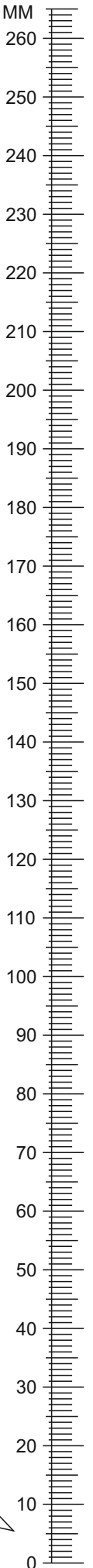
Korpus Container/Container Fronten



MUTATIO

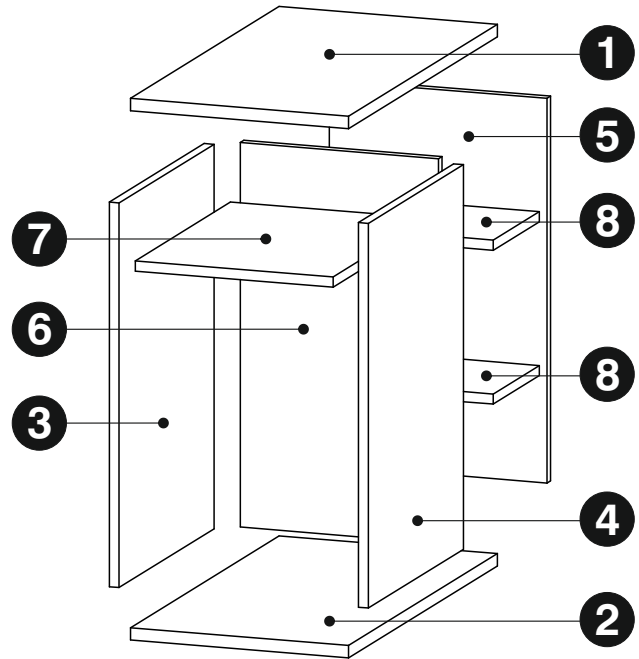
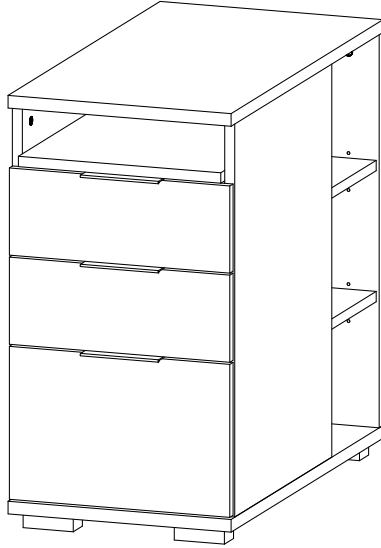
Korpus Container/Container Fronten

A0 8 x 30mm x40 	B1 7 x 50 mm x12 	B2 7 x 70 mm x8 
C0  x20	C1 18mm  x28	C2  x28
D0 3 x 15 mm x12 	D4 3,5 x 18 mm x6 	D5 3,5 x 16 mm x18 
D14 4 x 35 mm x12 	D21 5 x 13 mm x24 	K 4mm  x1
L29  x3	M1  x12	N3 CL L-450  x3
N3 CR L-450  x3	N3 DR L-450  x3	N3 DL L-450  x3
Q3  x8	T2  x4	U0  x6

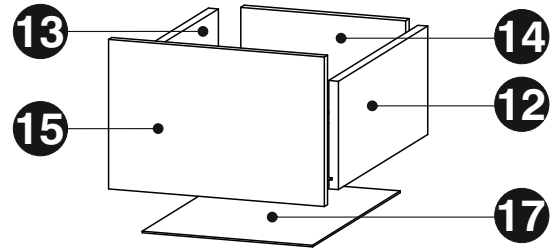
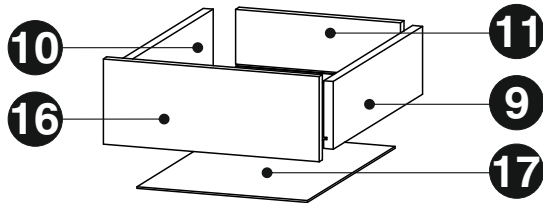


MUTATIO

Korpus Container/Container Fronten



x2

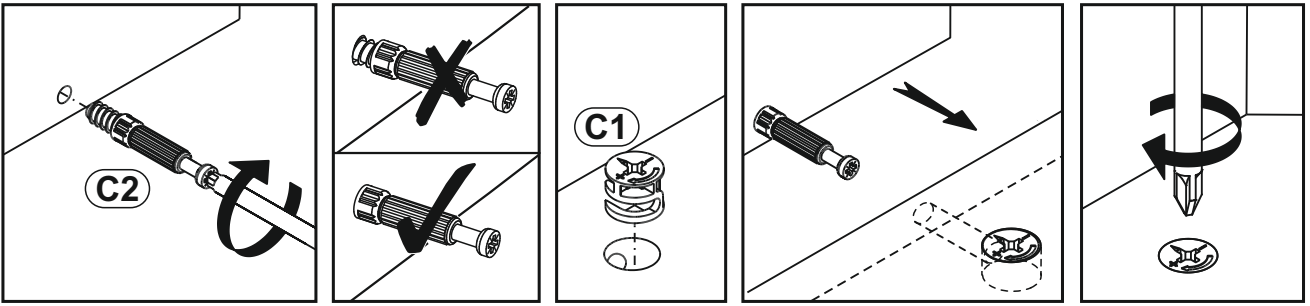


1	750	400	22	x1	1/3
2	750	400	22	x1	1/3
3	681	481	18	x1	2/3
4	681	481	18	x1	2/3
5	681	398	18	x1	1/3
6	681	362	18	x1	1/3
7	480,5	362	18	x1	2/3
8	388	231,5	18	x2	1/3





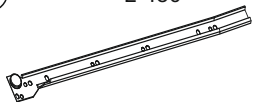
9	450	120	18	x2	2/3
10	450	120	18	x2	2/3
11	301	117	18	x2	2/3
12	450	200	18	x1	2/3
13	450	200	18	x1	2/3
14	301	197	18	x1	2/3
15	394	265	16	x1	3/3
16	394	151	16	x2	3/3
17	311	441,5	3	x3	2/3

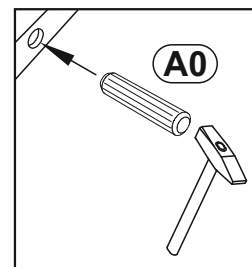
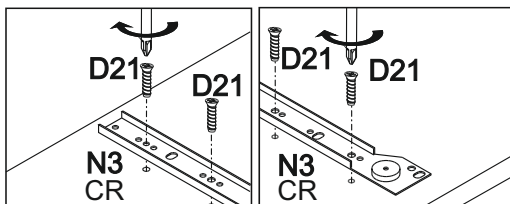
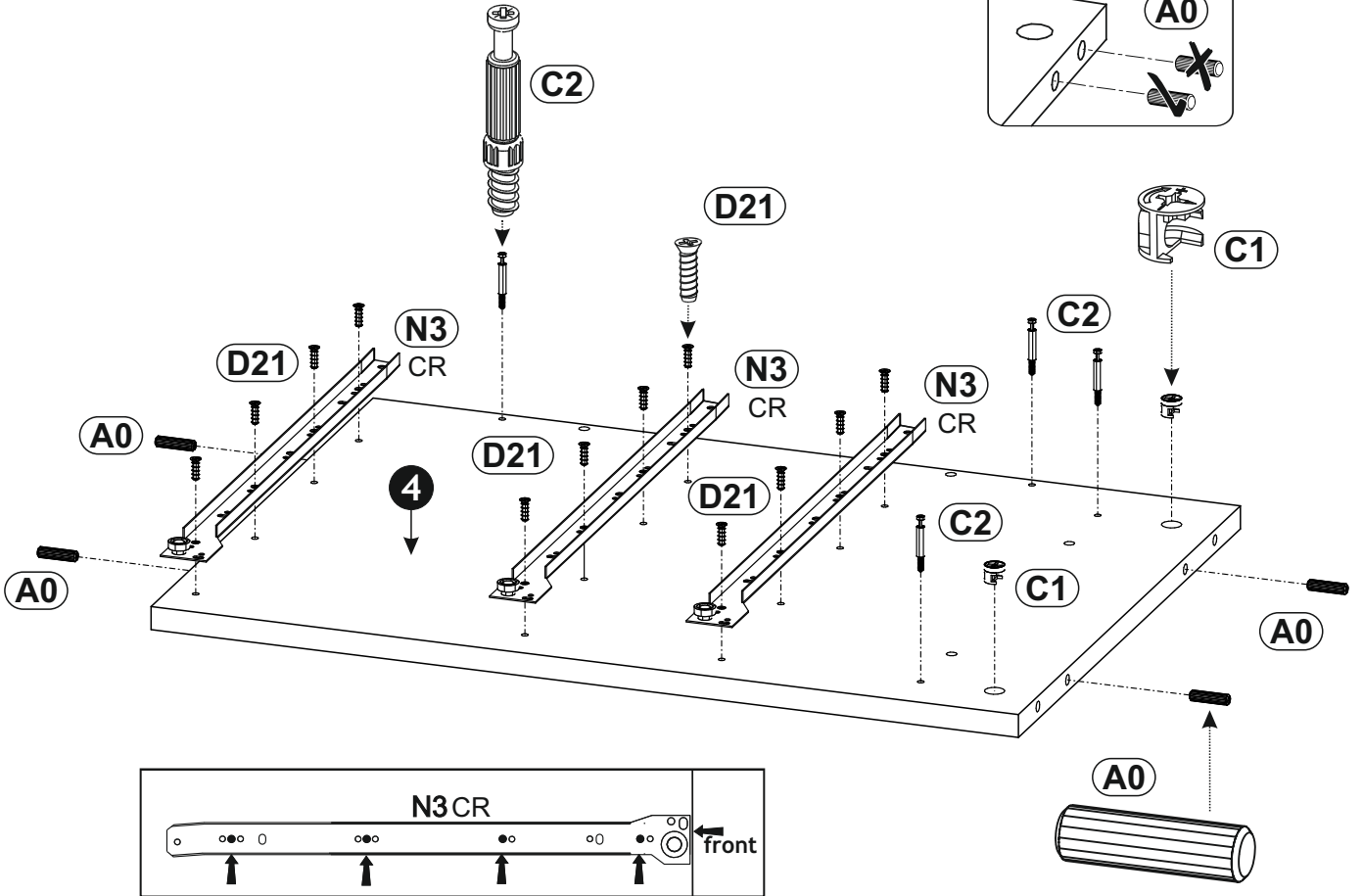


2/3



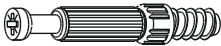

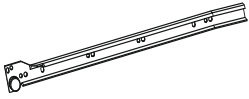


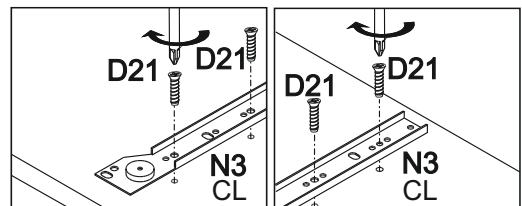
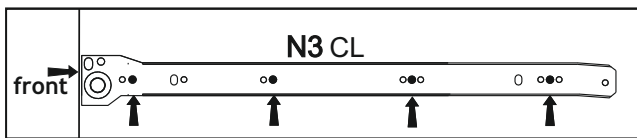
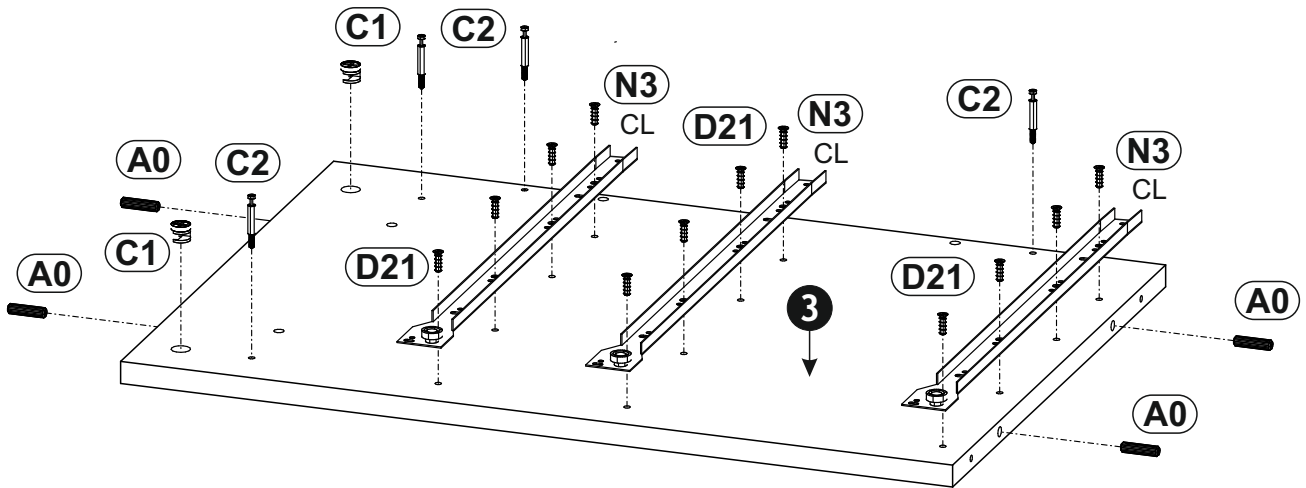
1 ▶

A0 8 x 30mm 	x4	C1 18mm 	x2	C2 	x4
D21 5 x 13 mm 	x12	N3 CR L-450 	x3		


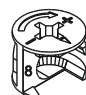



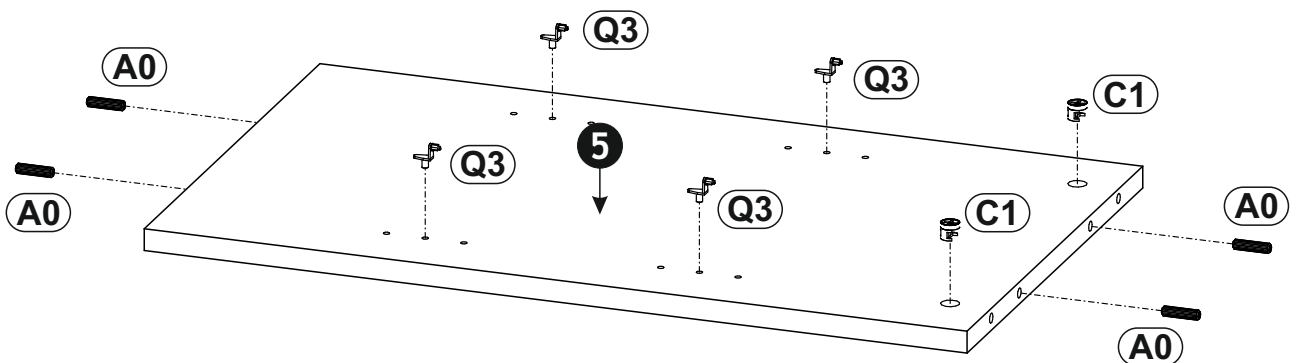
2 ▶

A0 8 x 30mm  x4	C1 18mm  x2	C2  x4
D21 5 x 13 mm  x12	N3 CL L-450  x3	

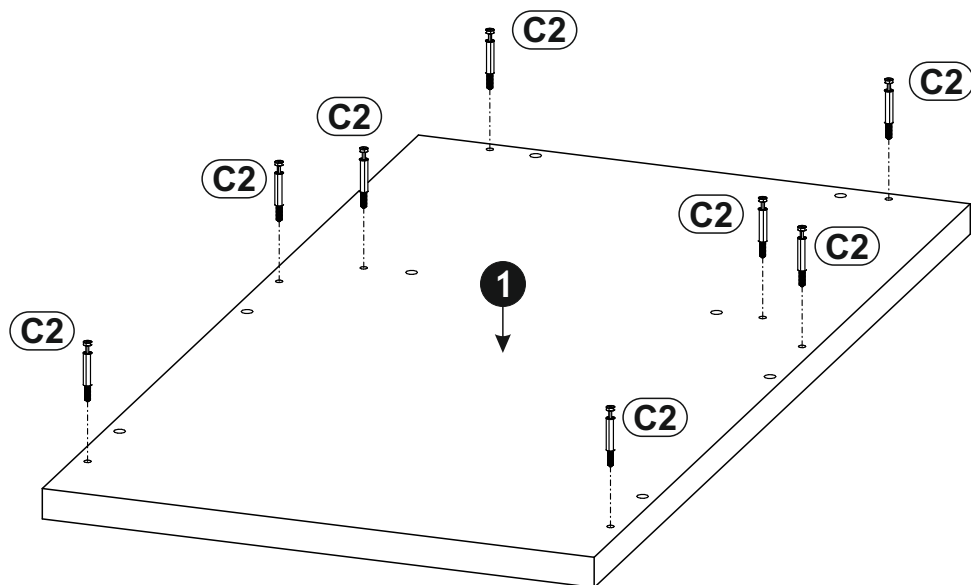
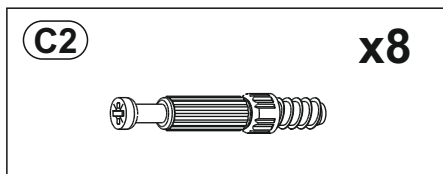


3 ▶

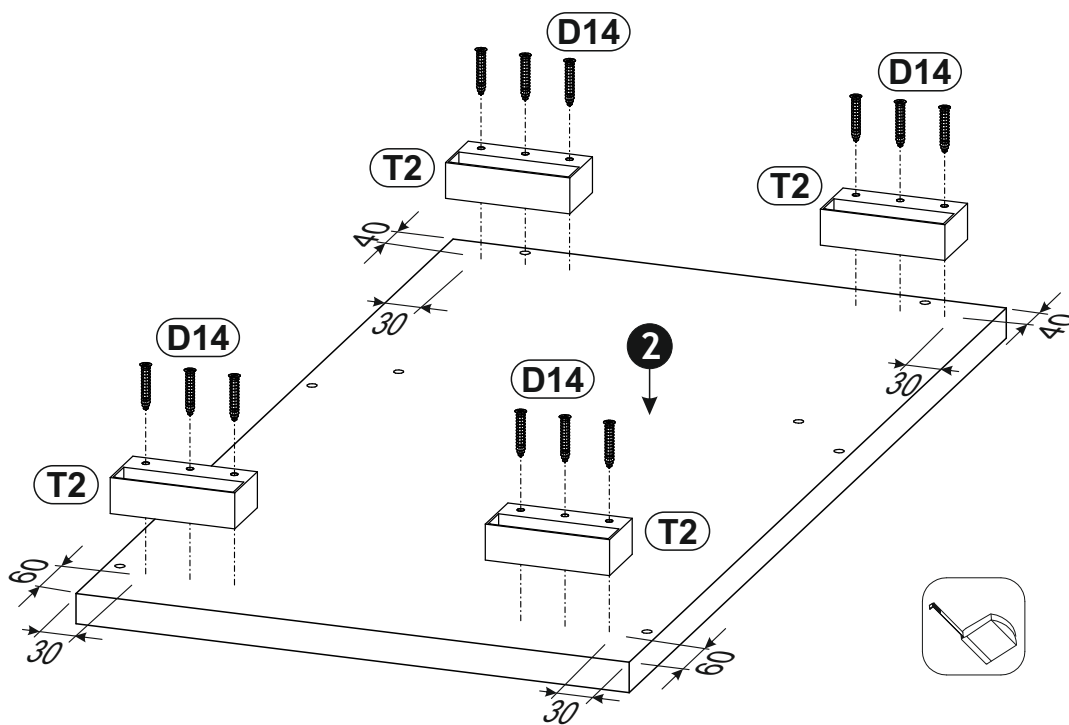
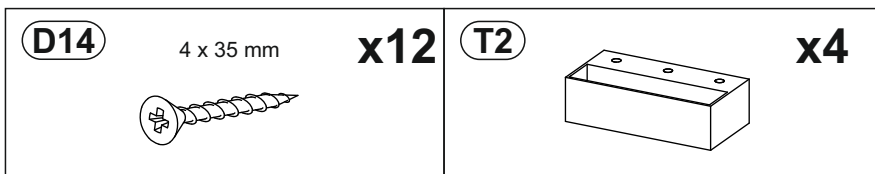
A0 8 x 30mm  x4	C1 18mm  x2	Q3  x4
---	---	---



4

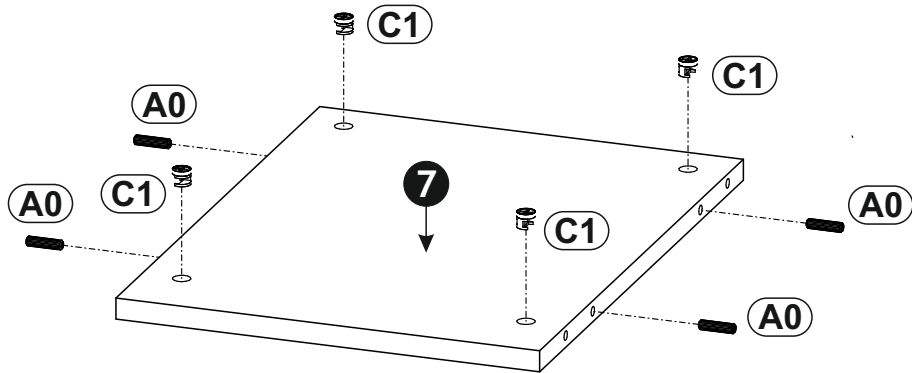


5



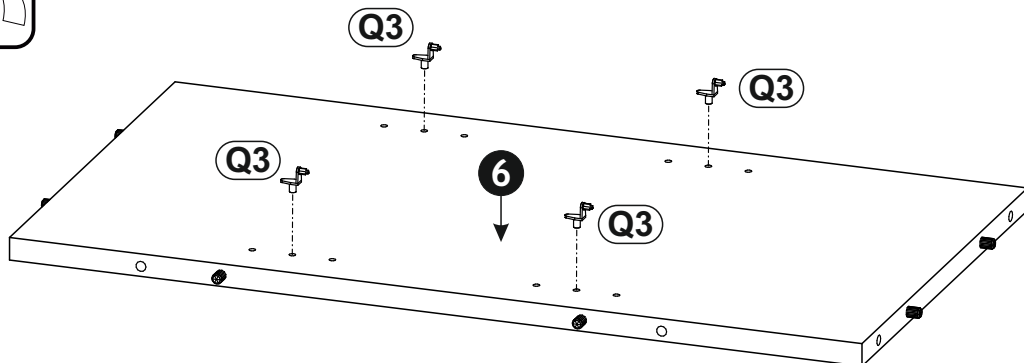
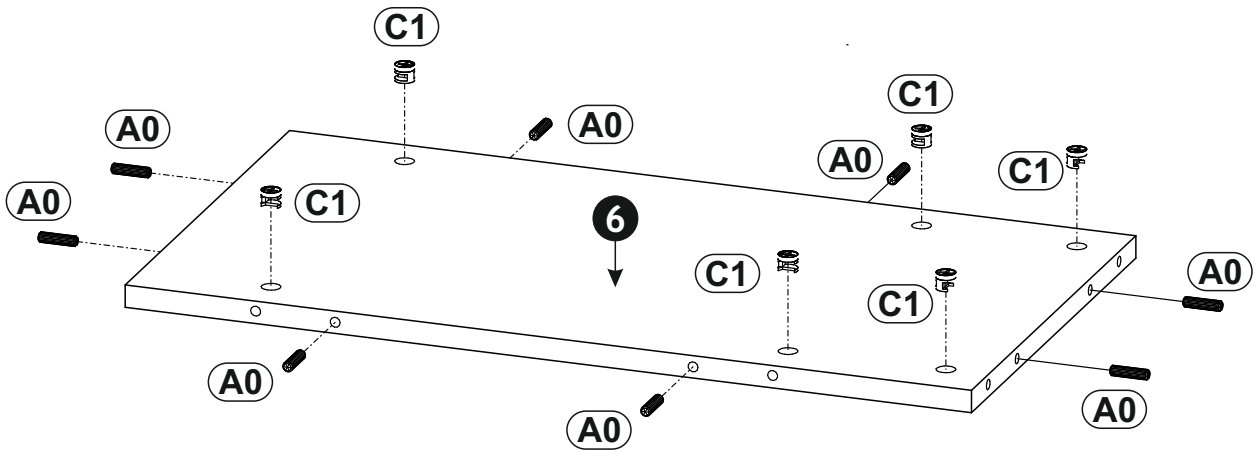
6 ▶

A0	8 x 30mm	x4	C1	18mm	x4
-----------	----------	-----------	-----------	------	-----------

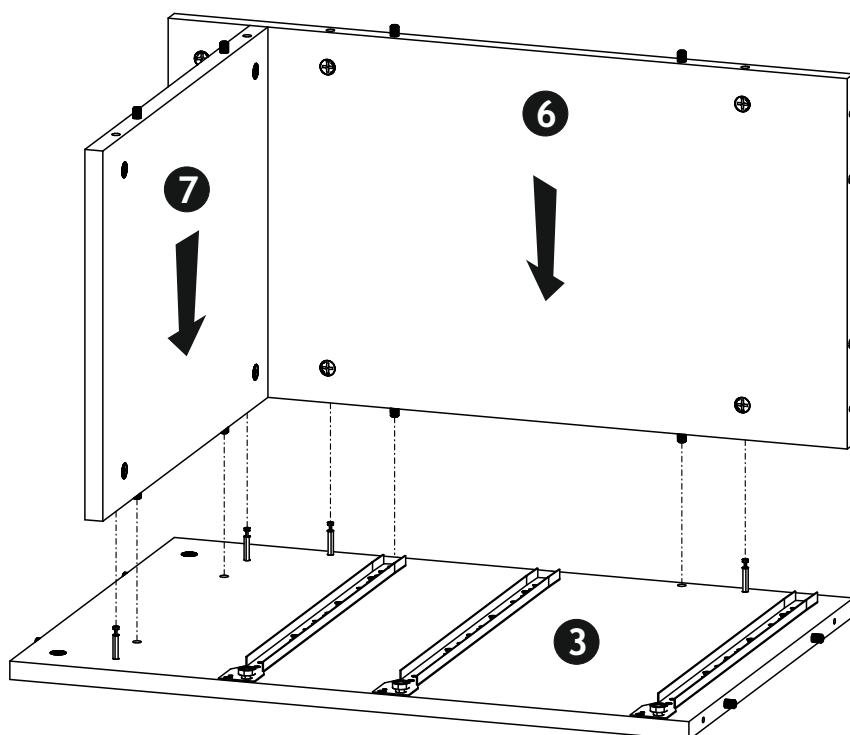
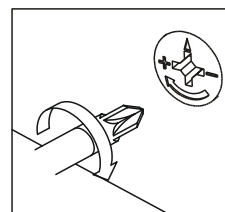


7 ▶

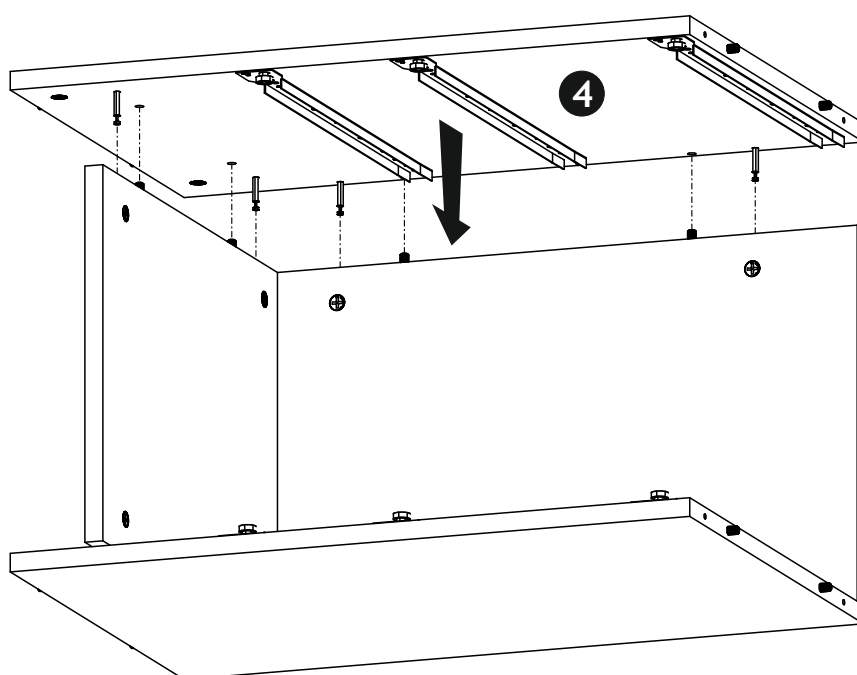
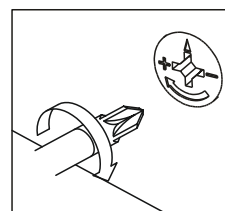
A0	8 x 30mm	x8	C1	18mm	x6	Q3	x4
-----------	----------	-----------	-----------	------	-----------	-----------	-----------



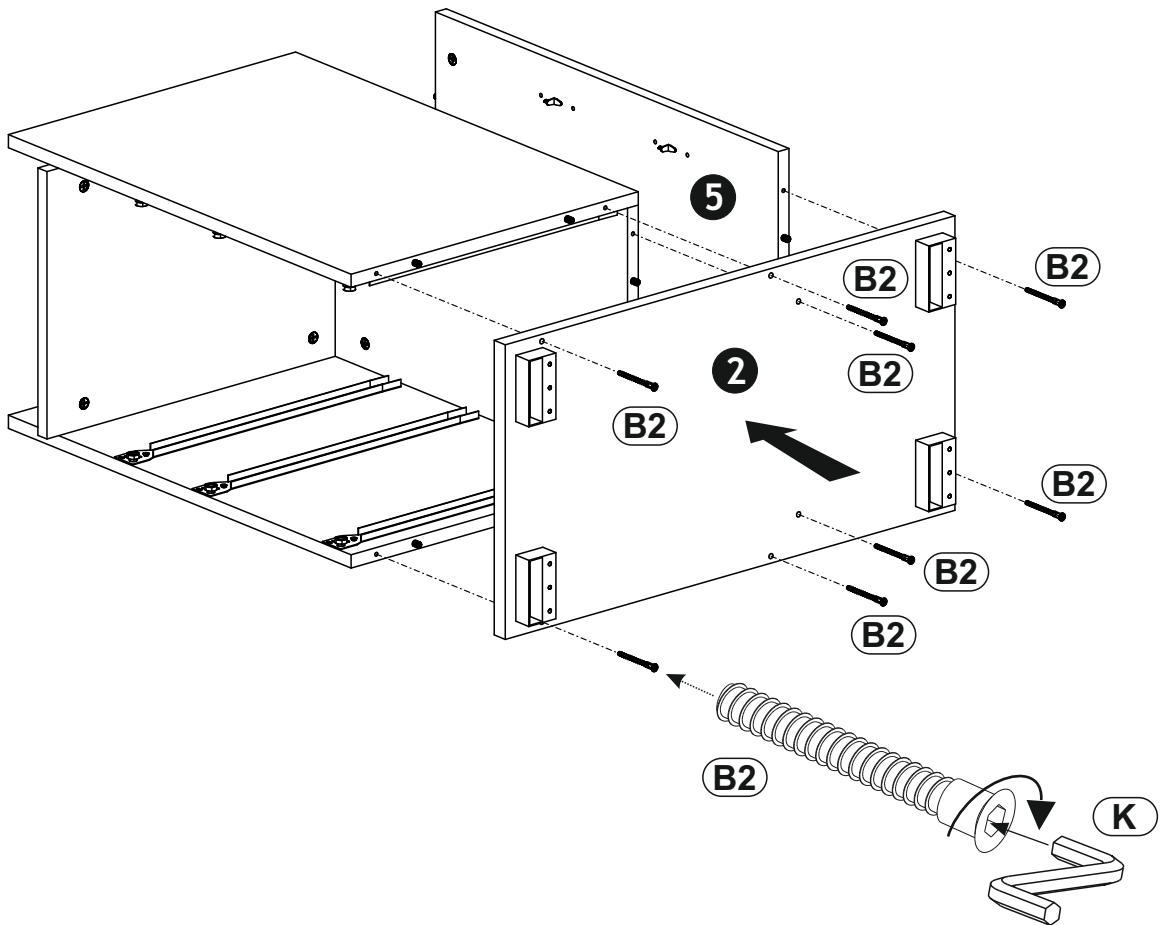
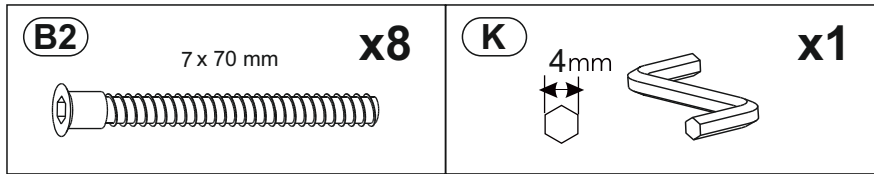
8 ▶



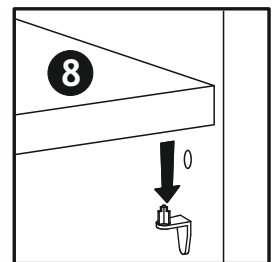
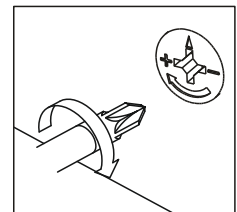
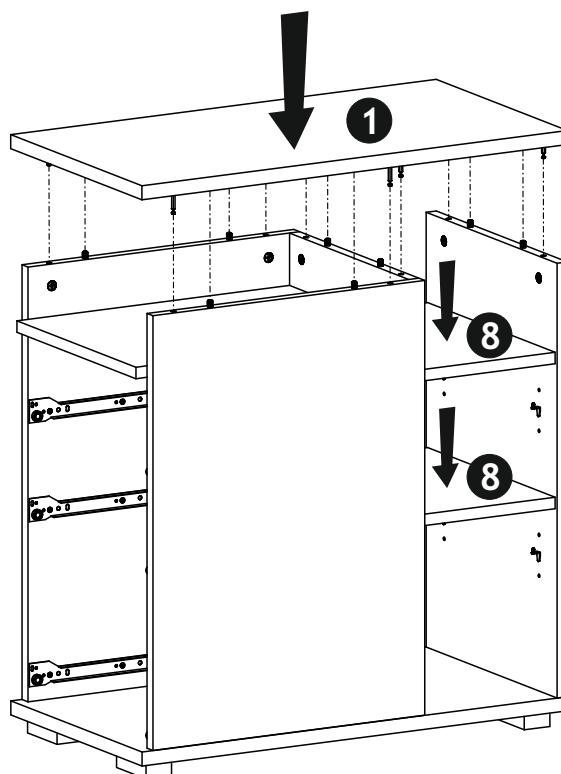
9 ▶






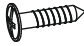


10 ▶

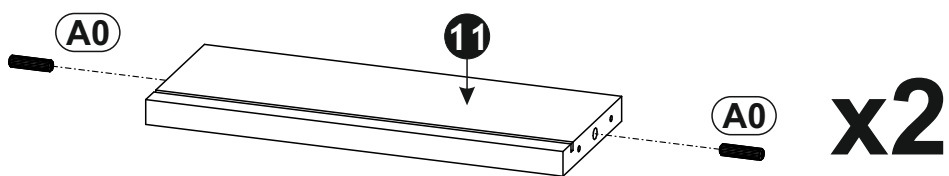
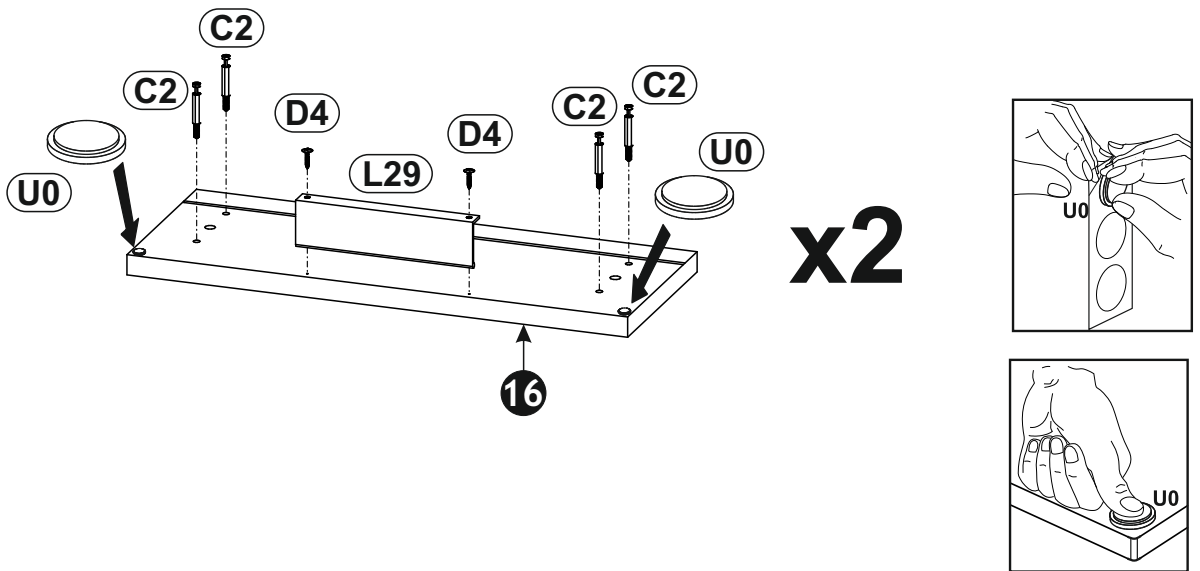
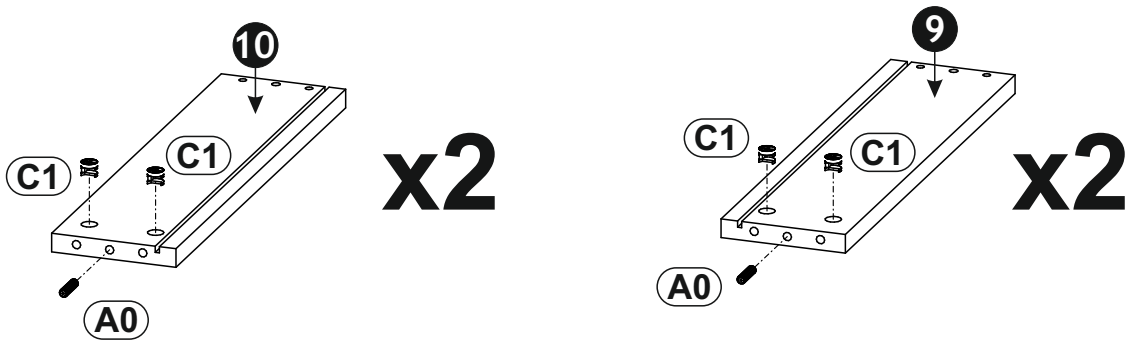


11 ▶

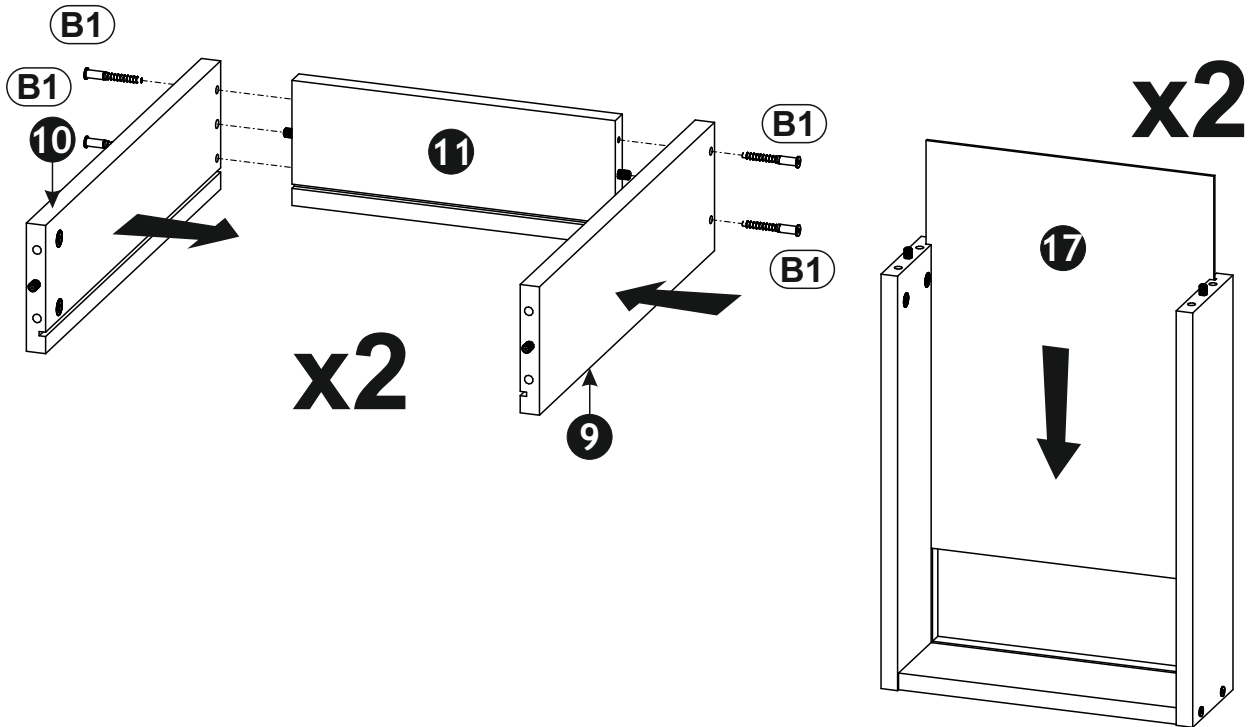
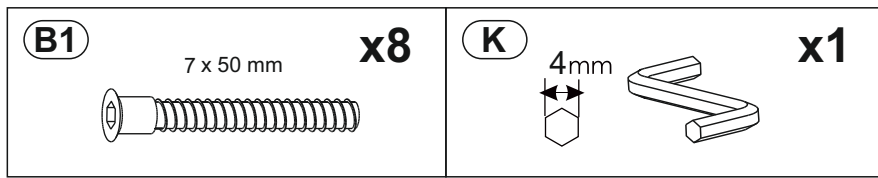


12▶

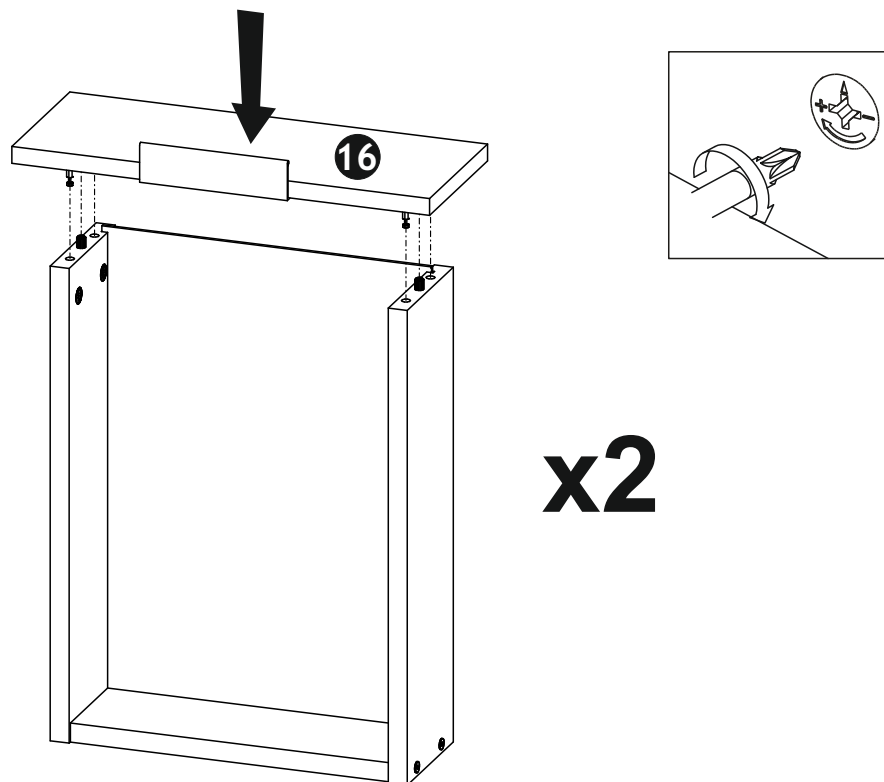
<p>(A0) 8 x 30mm x8</p> 	<p>(C1) 18mm x8</p> 	<p>(C2) x8</p> 
<p>(D4) 3,5 x 18 mm x4</p> 	<p>(L29) x2</p> 	<p>(U0) x4</p> 





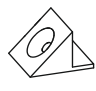
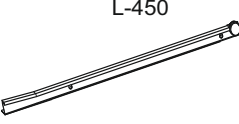
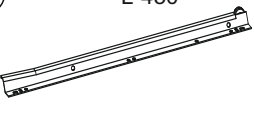
13 ▶

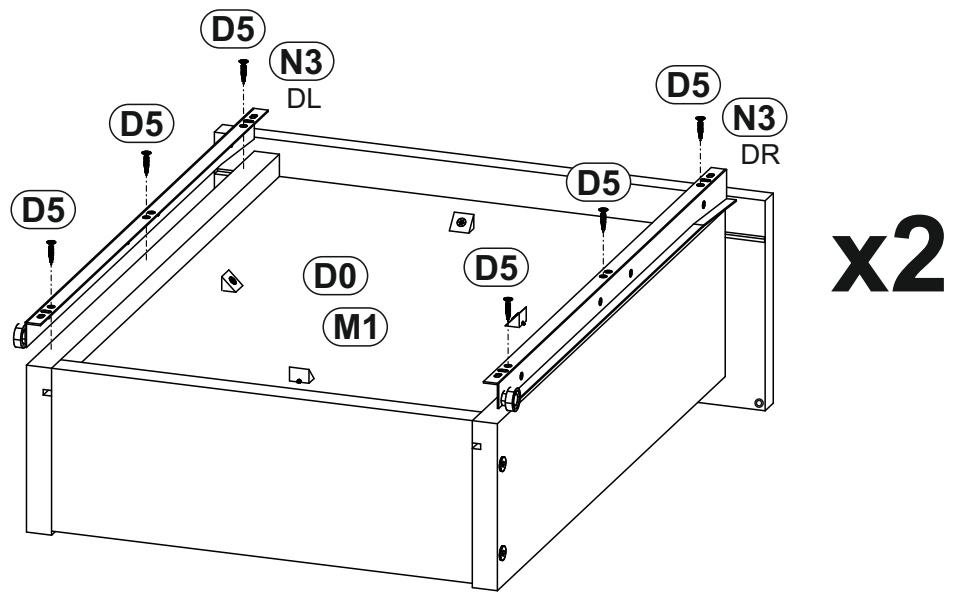


14 ▶

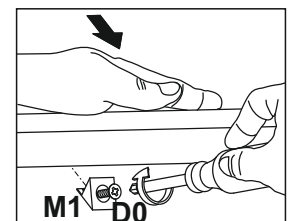
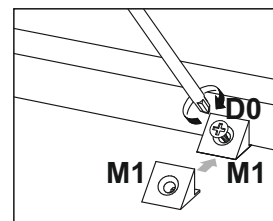
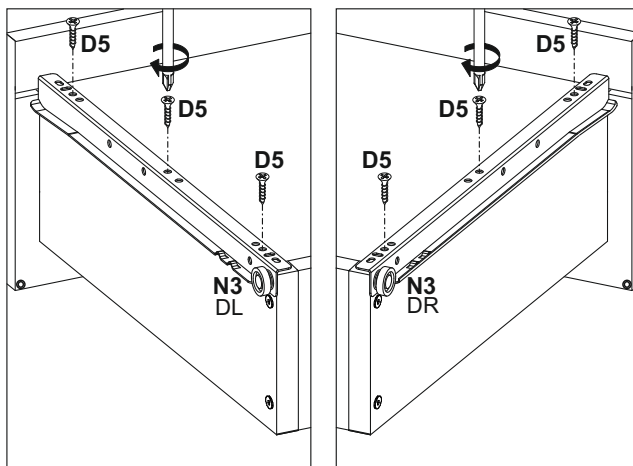
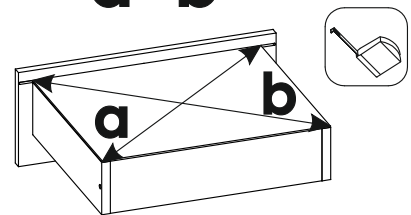


15 ▶



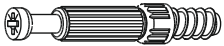



<p>(D0) 3 x 15 mm x8</p> 	<p>(D5) 3,5 x 16 mm x12</p> 	<p>(M1)  x8</p>
<p>(N3) DR L-450 x2</p> 	<p>(N3) DL L-450 x2</p> 	

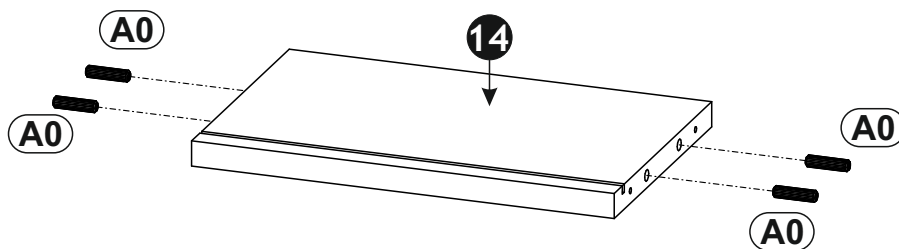
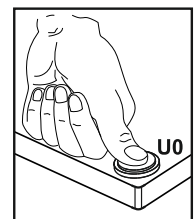
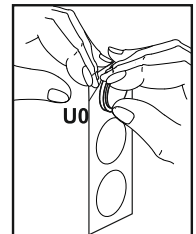
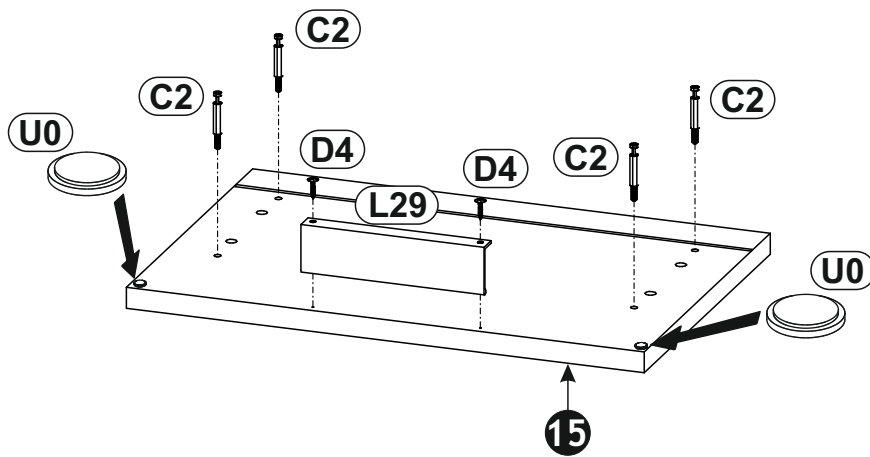
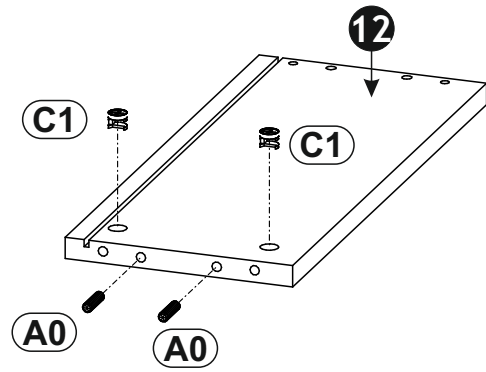
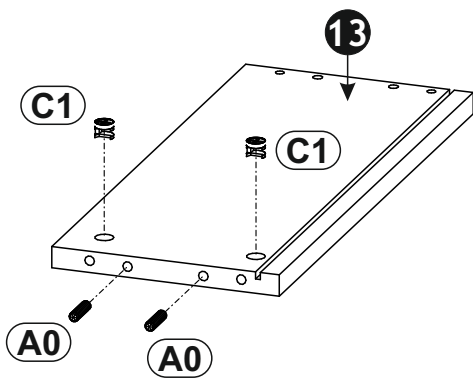


a=b

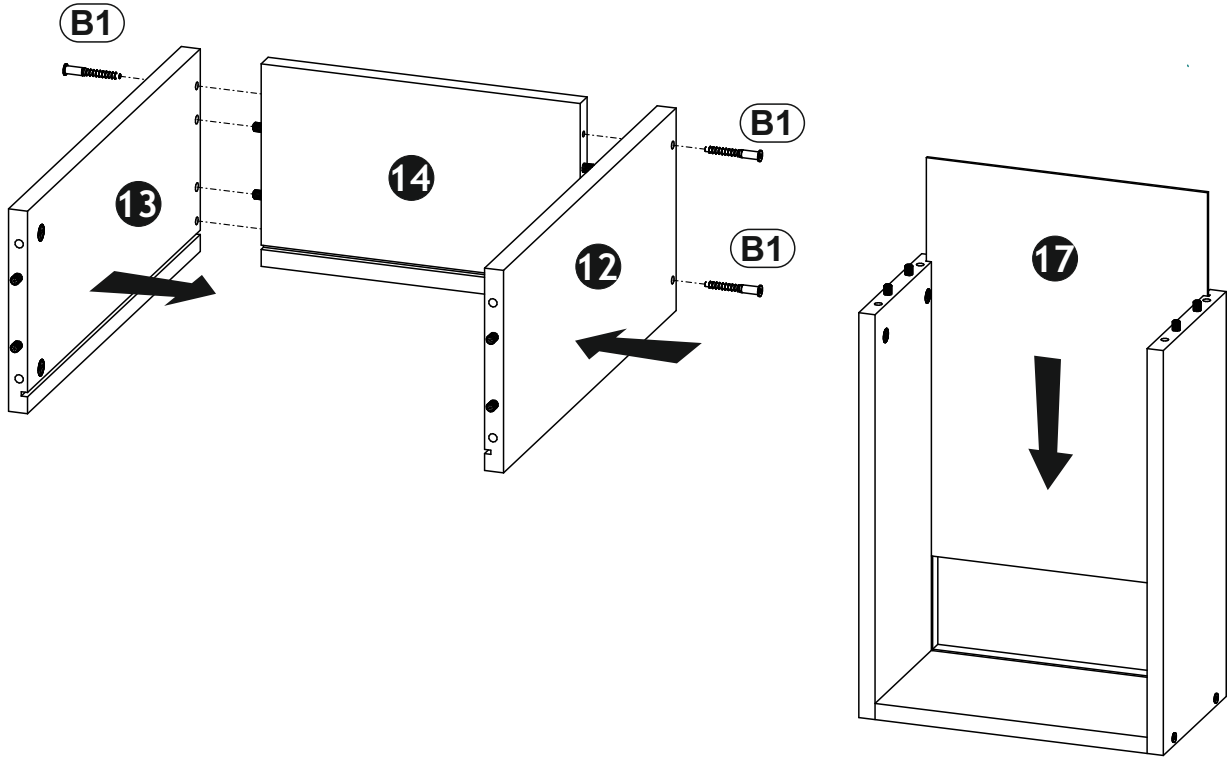
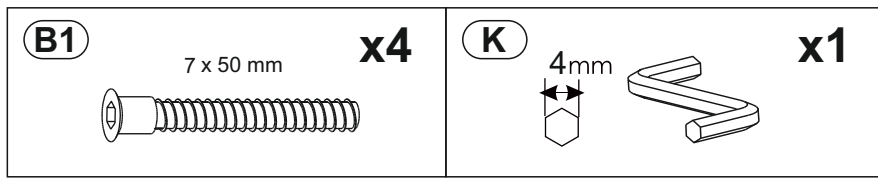


16

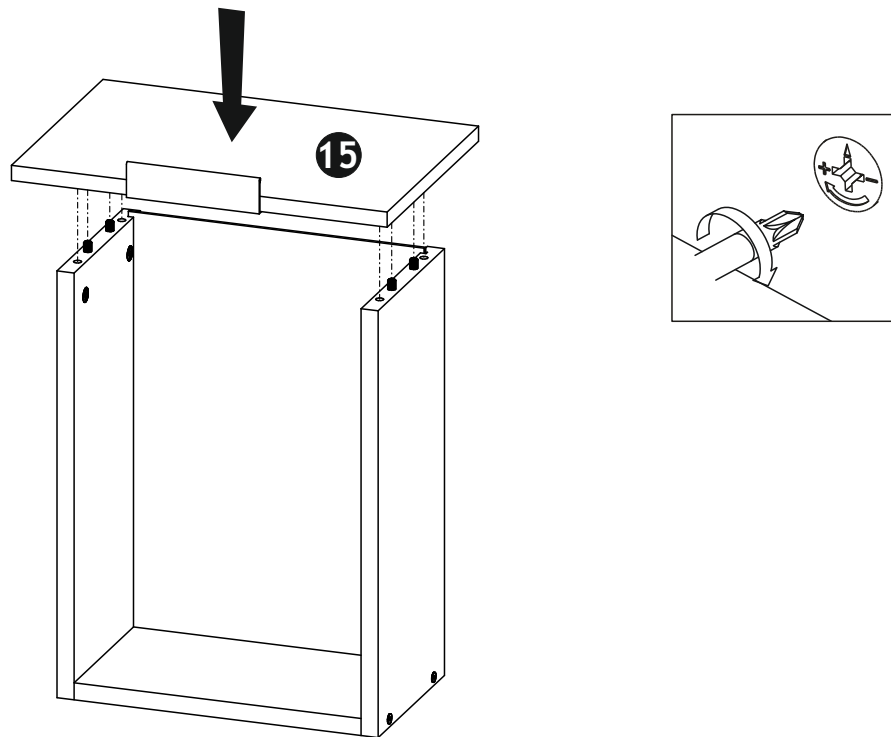
<p>A0 8 x 30mm x8</p> 	<p>C1 18mm x4</p> 	<p>C2 x4</p> 
<p>D4 3,5 x 18 mm x2</p> 	<p>L29 x1</p> 	<p>U0 x2</p> 






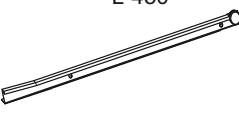
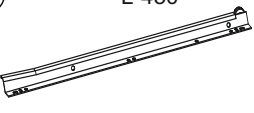
17 ▶

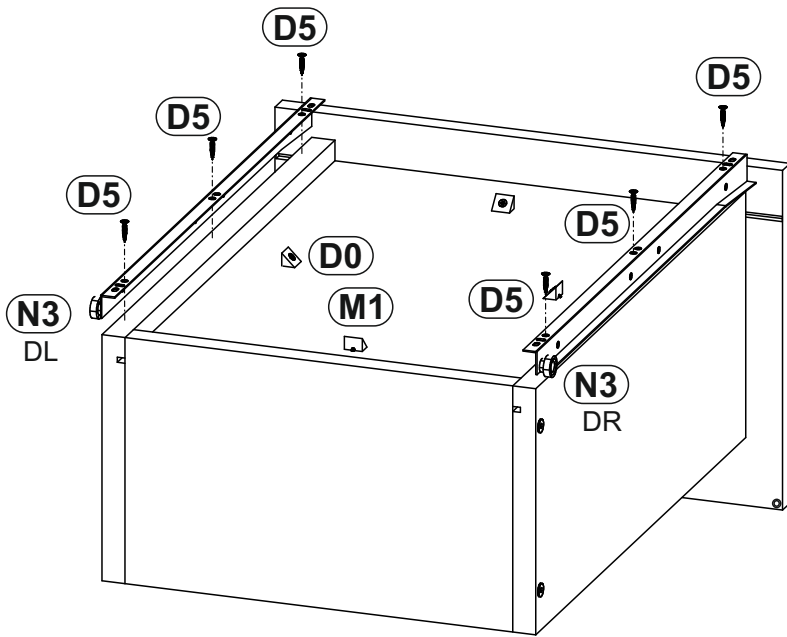


18 ▶

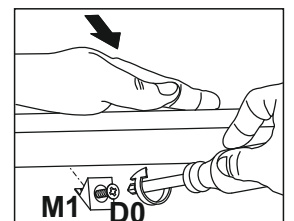
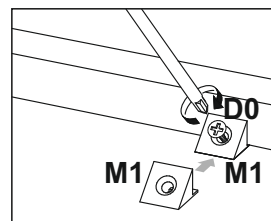
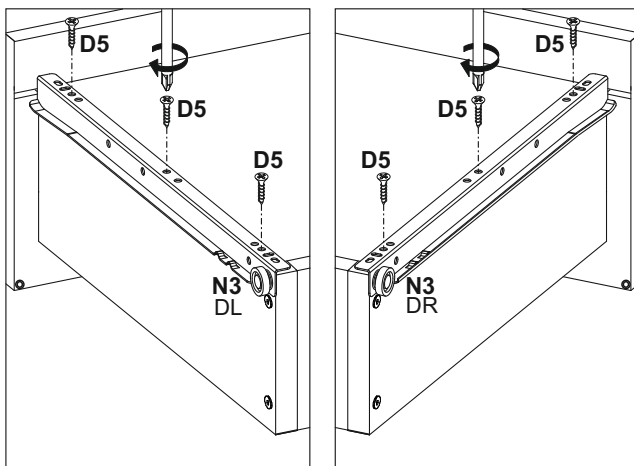
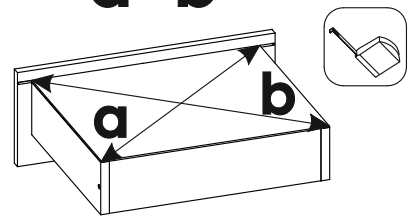


19 ▶

(D0) 3 x 15 mm  x4	(D5) 3,5 x 16 mm  x6	(M1)  x4
(N3) DR L-450  x1	(N3) DL L-450  x1	



a=b



20 ▶

